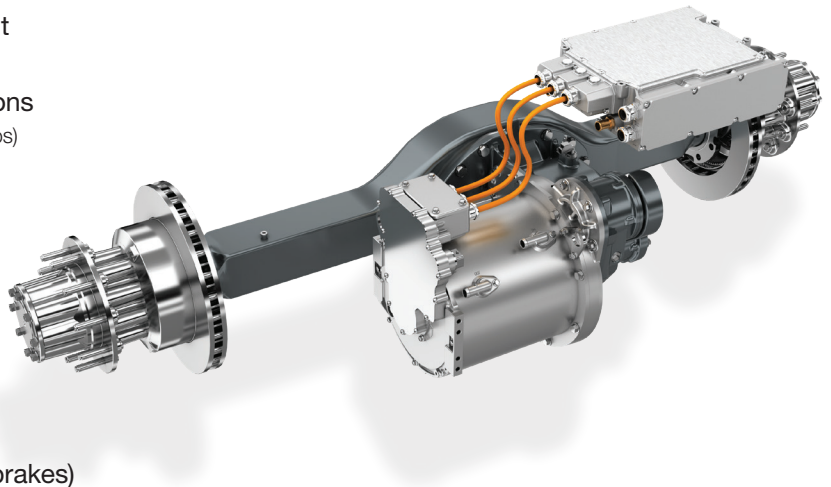


# Zero-5 Series e-Axles

## eS9000r

### Product Features

- Parallel-Axis design featuring Integrated permanent magnet motor, single-speed transmission
- Designed for medium-duty truck and bus applications
  - Intended for GVW range: 6,350 – 10,660kg (13,500lbs-23,500lbs)
- Designed to be a “drop-in” to existing suspensions
  - Based on the S130 drive axle
- 9,000Nm of output torque available at the wheels
- Peak power of 291kW
- Voltage Range: 400-800 VDC
- Water/Glycol-cooled motor and inverter
- Integrated electronically controlled park feature
- System weight: 261kg without brakes (370kg with brakes)



Ideal for Medium-Duty Trucks and Buses.



### Dana.com/Electrified

This material and its contents / statements are for general informational purposes only. All information is provided in good faith; however we make no representation or warranty of any kind, express or implied, including without limitation accuracy, adequacy, completeness or fitness for a particular purpose of such information.

#### Application Policy

Capacity ratings, features, and specifications vary depending upon the model and type of service. Application approvals must be obtained from Dana TM4; contact your representative for application approval. We reserve the right to change or modify our product specifications, configurations, or dimensions at any time without notice.