

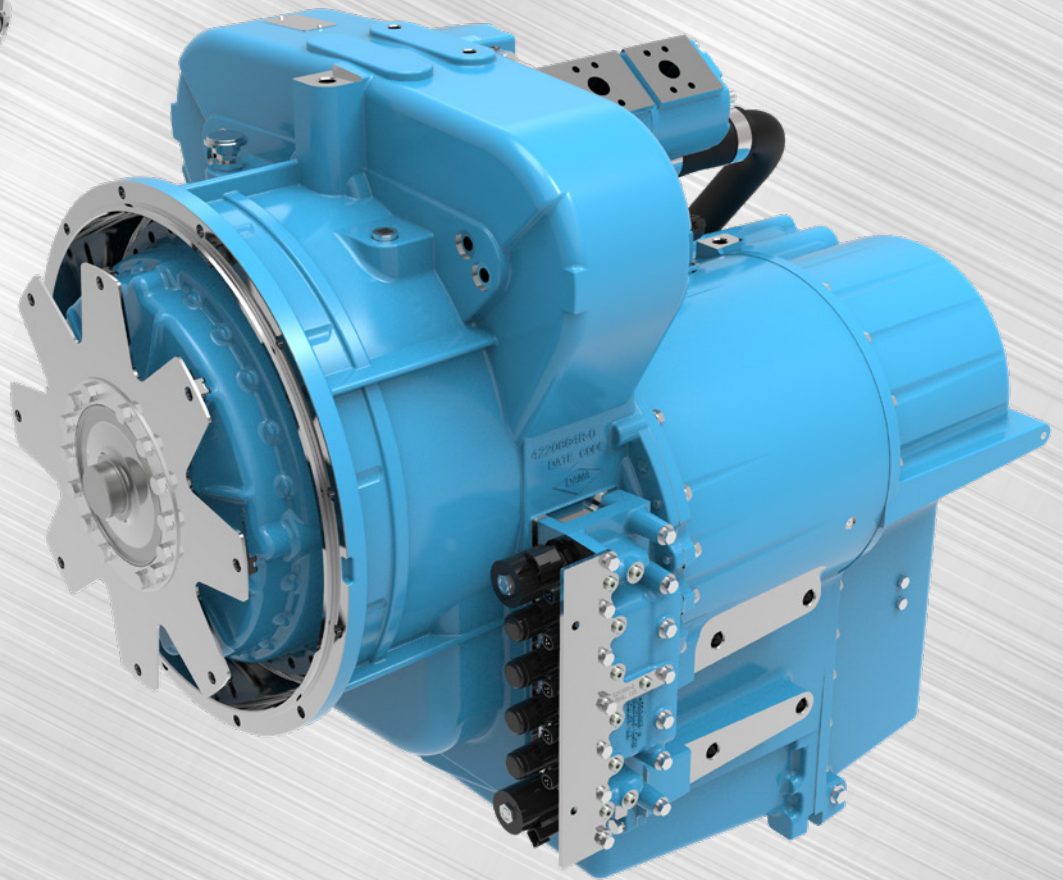
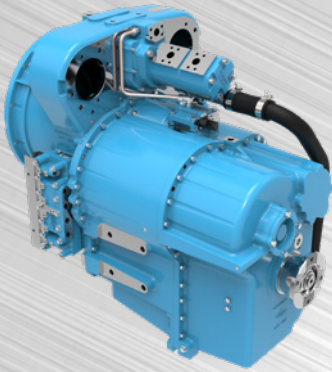


**SPICER®**

Drivetrain Systems

# Spicer® TE30 Hydrodynamic Transmission

225 to 300 kW (300 to 400 hp) for Reach Stackers and Heavy Forklift Trucks



**Best-in-class efficiency** designed specifically **for heavy-duty, material-handling** applications, including **reach stackers** and **heavy forklift trucks**.

# Spicer® TE30 Series Hydrodynamic Transmission

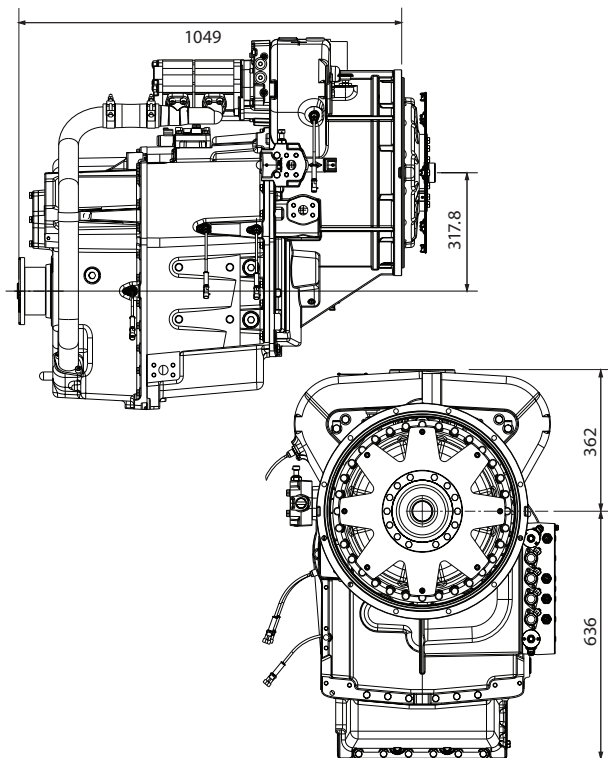
225 to 300 kW (300 to 400 hp) for Reach Stackers and Heavy Forklift Trucks

Compatible with engines up to 300 kW (including Tier 5), the Spicer® TE30 Series hydrodynamic transmission bridges the gap between current hydrodynamic transmissions and future technologies. This model follows a two-tier approach that is ideal for a wide range of applications to accommodate specific customer requirements all over the world. With various package features, customers have the ability to take their vehicle to the next level with significant cost, fuel economy, and productivity benefits.

Features:	Premium	Premium Plus
Lock-up torque converter		■
Converter freewheel		■
Next-generation electronic controls		■
Improved transmission efficiency	■	■
Low parasitic losses and optimized lubrication	■	■
5 speeds	■	■
Cast-aluminum torque converter	■	■
No torsional dampener required with converter mounted pump drive	■	■
Pump drive ratio: 0.91:1	■	■
Intelligent lubrication and cooling	■	■
High contact-ratio helical gears reduce noise	■	■

General Rating	
Input Power kW (hp)	225 – 300 (300 – 400)
Input RPM Maximum	2,500
Turbine Stall Nm (ft-lb)	2,900 (2,138)
Total Assembled Weight with SAE 1 Kg (lb)	838 (1,844)

Converter	
Housing	SAE No.1 (Dry)
Stall Torque Ratio Options	1.78 up to 2.30
Torque Converter Diameter mm (in)	381 (15) and 406 (16)
Mounting	Integral



Auxiliary Pump Drive	
Pump Drive Ratio	0.915
Torque Capacity Nm (ft-lb)	Left-hand: 1,100 (811) Right-hand: 825 (608) Combined: depending on application
Pad Type	SAE "C," optional SAE "D" on left-hand side
Pump Mounting	2- or 4-bolt

Flanges	
Spicer®	Output: XS 180 (T-180)
Spicer® Wing Series™	Output: 9C (Optional)

Ratios (Standard)					
Short Drop	1 <sup>st</sup> Gear	2 <sup>nd</sup> Gear	3 <sup>rd</sup> Gear	4 <sup>th</sup> Gear	5 <sup>th</sup> Gear
5 FWD	4.776	2.495	1.643	1.090	0.718
3 REV	4.776	2.495	1.090	—	—

Dimensions – Oil Capacity	
Output Drop Vertical mm (in)	318 (12.51)
Oil Capacity L (gal)/Type	55 (14.5) / ATF Dexron III approved
Oil Filter	Dual filter 1,000 hour life. First change: 500 hours

[Dana.com/oh/contact](http://Dana.com/oh/contact)

#### Application Policy

Capacity ratings, features, and specifications vary depending upon the model and type of service. Application approvals must be obtained from Dana; contact your representative for application approval. We reserve the right to change or modify our product specifications, configurations, or dimensions at any time without notice.



**SPICER®**

Drivetrain Systems